

R4-EM (4 & 6 Series) Electromechanical Rotary Latch

Compact size · Lightweight

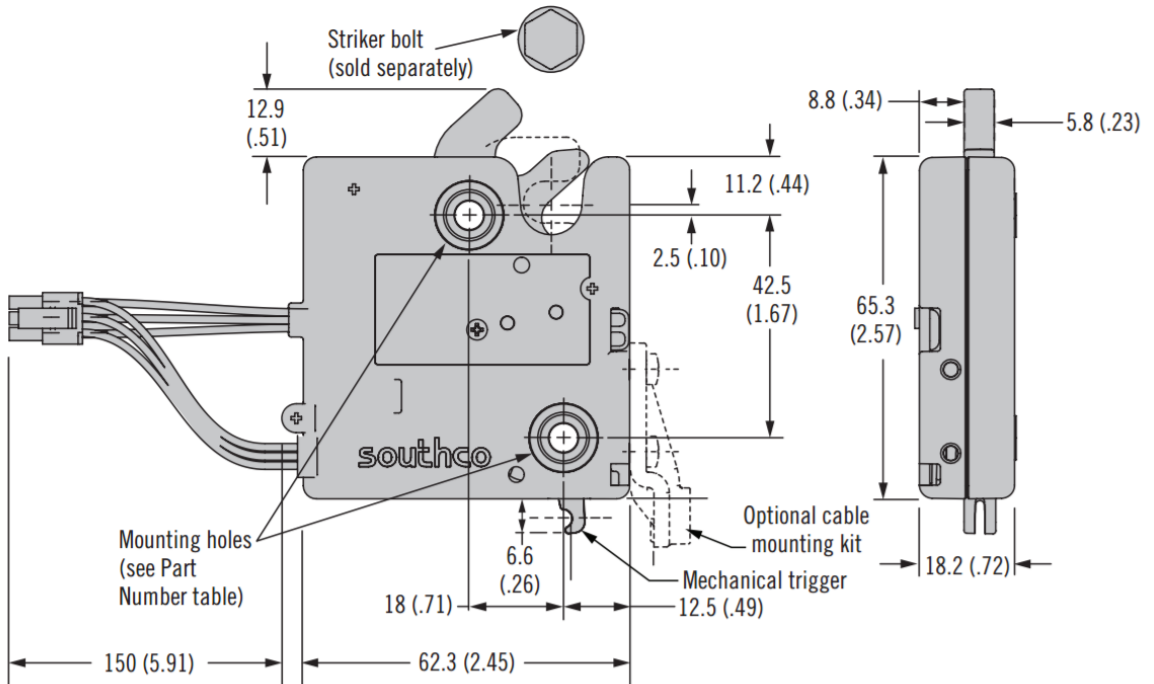
Electronic access with internal motor control

Features

- Light weight construction
- Auto re-lock and delayed re-lock version
- Push-to-close, electronic release
- Versatile rotary mechanism
- Concealed latching
- Microprocessor control
- Minimal power draw
- Simple mechanical over-ride
- Optional internal micro-switch for latch open/close output signal

Material

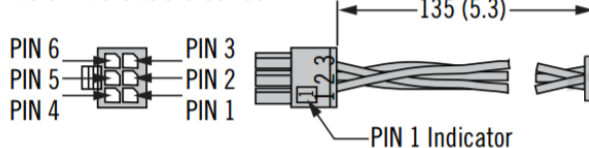
- Housings: PC/ABS
- Cam: Glass-filled nylon
- Trigger: PBT
- Springs: Stainless Steel
- Pins: Steel, zinc plated



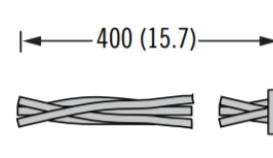
Latch Wiring Connections

With Connector

Molex Microfit 3.0 series



Without connector



Electrical Specifications

- Recommended operating voltage: 12 to 24 VDC
- Typical operating current (average at no load): Less than 600 mA at 12 VDC
- Input signal current draw: 25 mA
- Optional microswitch closes upon latch closure
- Microswitch Rating: 3A maximum at 12 VDC

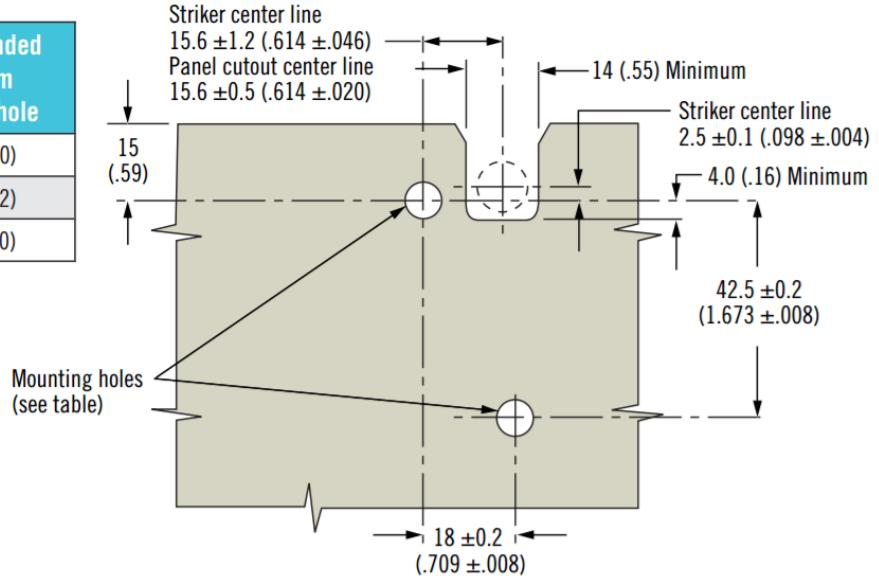
Wire Color Code / Connector Pin Assignment:

- PIN 1: Brown: Ground (-)
- PIN 2: Red: Power 8 to 26 volts DC
- PIN 3: Orange: Control signal 8 to 26 volts DC
- PIN 4: Black: Microswitch common
- PIN 5: Blue: Microswitch N.O. contact
- PIN 6: Grey: Microswitch N.C. contact

Installation

Panel Preparation

| Base Mounting Style | Recommended minimum mounting hole |
|---------------------|-----------------------------------|
| 10-24 thread | ∅ 5.6 (.220) |
| M5 thread | ∅ 5.9 (.232) |
| Thru hole | ∅ 6.1 (.240) |



R4 - EM - T B A - 1 S C - P

T Trigger Styles

- 4 Auto re-lock with kick-out spring
- 6 Delayed re-lock with light spring

B Base Mounting Style

- 3 ∅ 5.5 (.22) thru hole
- 4 M5 thread
- 5 10-24 thread

A Alternate Configurations

- None Standard configuration
- 2 Strong (kick out) cam spring (delayed relock)

P Packaging Options

- None Individually packaged
- 1 Bulk packaged

C Connector Options

- 1 With connector
- 2 Without connector

S Switch Options

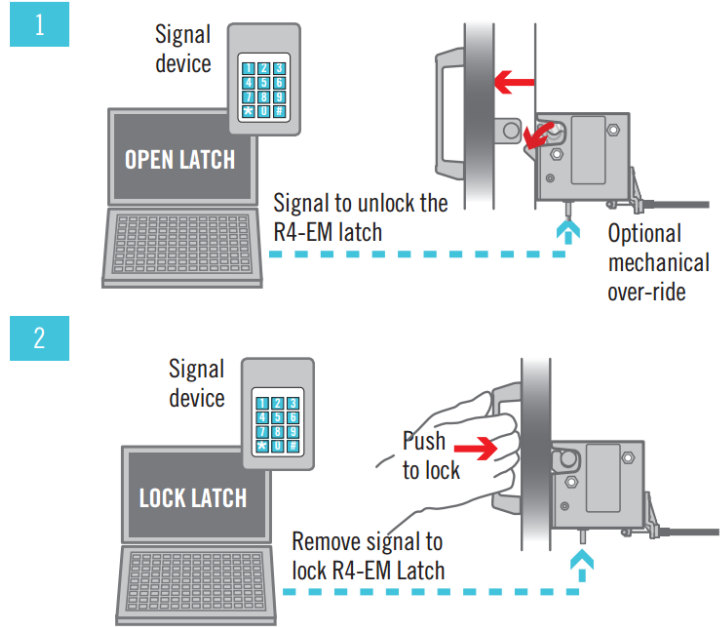
- 3 No switch
- 6 Internal latch status switch

R4-EM Electronic Rotary Latch

Operating instructions

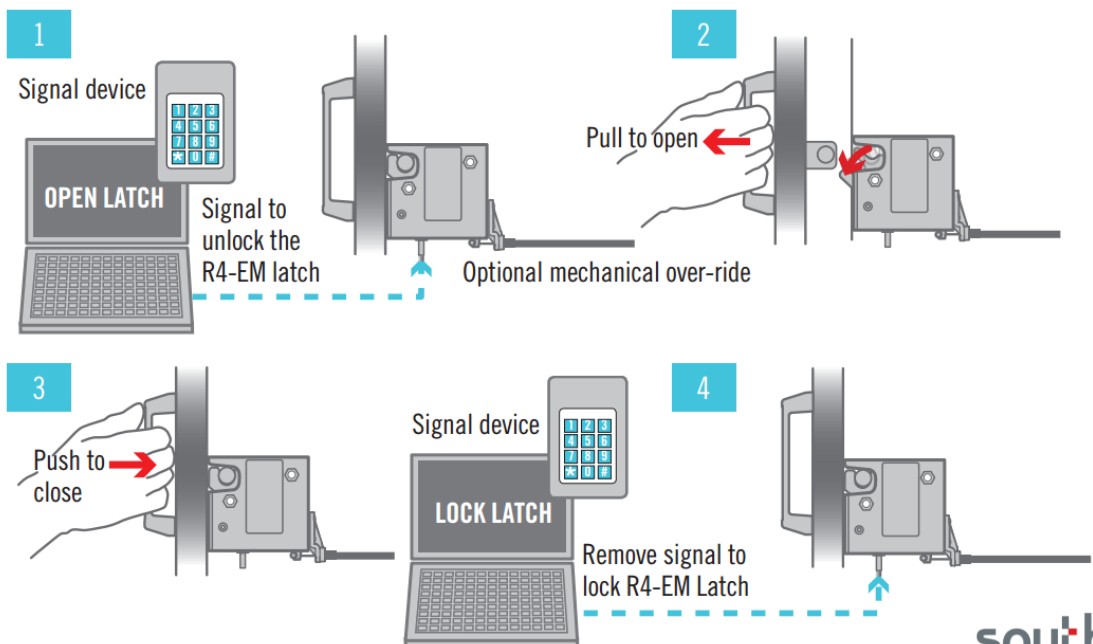
Operation – Auto reload

1. The signal unlocks the R4-EM latch and releases the spring loaded cam which rotates out to push a lightweight door open. The mechanism will cycle through unlatched then re-latched state automatically, regardless of input signal on time.
2. Push door closed to engage striker after unlock time has expired. Striker will rotate cam to closed position



Operation – Delayed reload

1. The signal unlocks the R4-EM latch leaving a biased closed door in the closed position. The unlock time is controlled by the access control device.
2. Manually pull door/striker free from R4-EM latch.
3. Manually push door closed. Striker will rotate cam to closed position, however latch will remain unlocked and can be re-opened as long as signal is present.
4. After accessing the door, the signal can be removed to re-lock the R4-EM. This can be done with the door in the open or closed position.



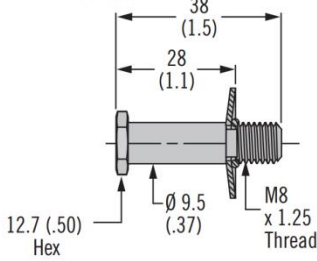
R4-EM Electronic Rotary Latch

Strikers - Cable mounting kits

Striker Bolt - Large

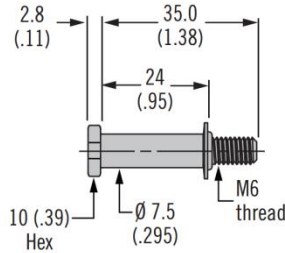
Part number R4-90-121-10

R4-90-121-20



Striker Bolt - Small

Part number R4-90-511-20

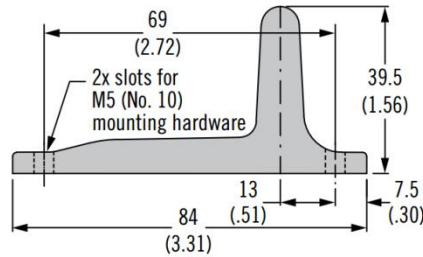
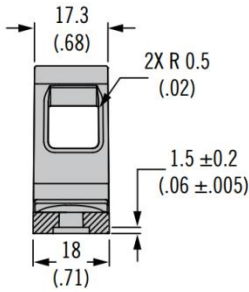


Material

- Striker bolts: Stainless steel or steel, zinc plated
- Cast strikers: Zinc alloy
- Cable mounting kits: Glass-filled nylon, black

Cast Striker with Door Sensor Part number R4-90-804-10

Cast Striker without Door Sensor Part number R4-90-800-10



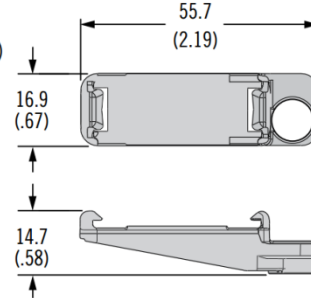
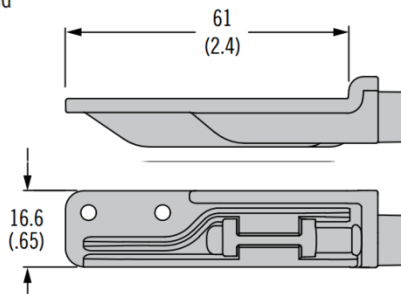
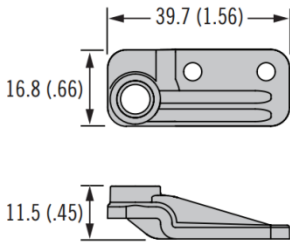
Cable Mounting Kit

Part number R4-EM-52 – Rivets included

Part number R4-EM-72 – Screws included

Part number R4-EM-87 – Rivets included

Part number R4-EM-952



| | Striker Bolt | | Cast Striker | | Cable Mounting Kit | | | |
|-------------|--------------|--------------|--------------|--------------|--------------------|----------|----------|-----------|
| | R4-90-121-XX | R4-90-511-20 | R4-90-800-10 | R4-90-804-10 | R4-EM-52 | R4-EM-72 | R4-EM-87 | R4-EM-952 |
| R4-EM-9 | ✓ | | ✓ | ✓ | | | | ✓ |
| R4-EM-8 | ✓ | | ✓ | ✓ | | | | |
| R4-EM-5 & 7 | ✓ | | ✓ | | ✓ | | ✓ | |
| R4-EM-4 & 6 | | ✓ | | | | ✓ | | |
| R4-EM-1 & 2 | ✓ | | ✓ | | ✓ | | ✓ | |

southco®

We are proud to be Southco's authorized distributor of over 20 years